

DAPIC®

<http://www.dapic.com>

**5.1 CHANNEL SURROUND SOUND
MULTIMEDIA SPEAKER SYSTEM**

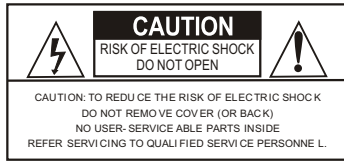
User's Manual

DP-1110



Please read this manual carefully before operating the unit.
This prevents malfunctions and lets you experience all features
of your new equipment.

SAFETY PRECAUTION



WARNING:

To prevent fire or shock hazard, do not expose the unit to rain or moisture.

***Note: This product is for indoor use only.**



The lightning flash with arrowhead symbol, within an equilateral triangle, is intended to alert the user to the presence of uninsulated "dangerous voltage" within the product's enclosure that may be of sufficient magnitude to constitute a risk of electric shock.



The exclamation point within an equilateral triangle is intended to alert the user to the presence of important operating and maintenance (servicing) instructions in the literature accompanying the product.

IMPORTANT SAFETY INSTRUCTIONS

- 1) Read these instructions before using the product.
- 2) Read all warnings carefully.
- 3) Follow all instructions carefully.
- 4) Do not use this apparatus near water.
- 5) Clean only with dry cloth.
- 6) Do not block any ventilation openings. Install in accordance with the manufacturer's instructions.
- 7) Do not install near any heat sources such as radiators, heat registers, stoves, or other apparatus (including amplifiers) that produce heat.
- 8) Do not defeat the safety purpose of the polarized or grounding-type plug. A polarized plug has two blades with one wider than the other. A grounding type plug has two blades and a third grounding prong. The wide blade or the third prong are provided for your safety. If the provided plug does not fit into your outlet consult an electrician for replacement of the obsolete outlet.
- 9) Protect the power cord from being waled on or pinched particularly at plugs convenience receptacles, and the point where they exit from the apparatus.
- 10) Only use attachments/accessories specified by the manufacturer.
- 11) Use only with the cart, stand, tripod, bracket, or table specified by the manufacturer, or sold with the apparatus. When a cart is used, use caution when moving the cart/apparatus combination to avoid injury from tip-over.



- 12) Unplug this apparatus during lightning storms or when unused for long periods of time.
- 13) Refer all servicing to qualified service personnel. Servicing is required when the apparatus has been damaged in any way, such as power-supply cord or plug is damaged, liquid has been spilled or objects have fallen into the apparatus, the apparatus has been exposed to rain or moisture, does not operate normally, or has been dropped.

FEATURES

- Built-in Amplifier
- Built-in FM & AM Tuner
- AC-3/DTS Input Ready
- Analog Audio Input: 5.1CH, STEREO
- Full Function Remote Control, Level Display
- Individual Channel Volume Control
- Wooden Cabinet For All Speakers

SPECIFICATIONS

Frequency Response ----- 20Hz-20KHz

Separation Rate ----- \geq 45dB

S/N Ratio ----- \geq 75dB

Distortion ----- \leq 0.3%

Output Power ----- 160W, 60W + 20Wx5

Power Source ----- AC~220V 50Hz

Drivers

Subwoofer ----- 8" Woofer

Front ----- 4" Full Range + 1.5" tweeter

Surround ----- 4" Full Range + 1.5" tweeter

Center ----- 4" Full Range x 2 + 1.5" tweeter

Dimension (WxHxD)

Subwoofer ----- 220x350x360 mm

Front ----- 150x250x180 mm

Surround ----- 150x250x180 mm

Center ----- 350x150x180 mm

Note: Due to continuous product development through R and D specification to change without prior notice.

TROUBLESHOOTING

If the system does not operate correctly, please do the following check up

ISSUE	CAUSED BY	SOLUTION
No Sound from Speaker or No Power	<ol style="list-style-type: none"> 1. System is not connected with power. 2. The speaker cables are not connected with the output connector 3. The power does not switch ON. 	<ol style="list-style-type: none"> 1. Check with the power plug. 2. Check the speaker cables. 3. Make sure the power switch at the panel is on.
No sound effect from speaker when you choose DVD/5.1 output mode	Make sure the setup of DVD player is proper	Please setup the DVD player to 5.1 CH output only
Distortion occurs when in high volume	The sound device has high level signal output	Turn down the master volume of the system

Note A:

- 1) The proper combination of input and output mode (Both the Active Subwoofer and the supply source, i.e CD, Mp3, VCD, DVD.....) will produce optimized sound quality.
- 2) Some DVD device have high level signal output. When the Master Volume is turned high and the distortion occurs, please turn down the Master Volume to prevent damage to the speaker unit and amplifier.
- 3) You may not be able to enjoy 5.1 CH sound effect with this Active 5.1 Home Theater Surround System for those DVD player without analog 5.1 CH output terminal.

Note B:

When this product is subjected to strong external interference (mechanical shock, excessive static electricity, abnormal supply voltage due to lighting, etc.) or it is operated incorrectly, it may malfunction. If such problem occurs do the following to reset the system.

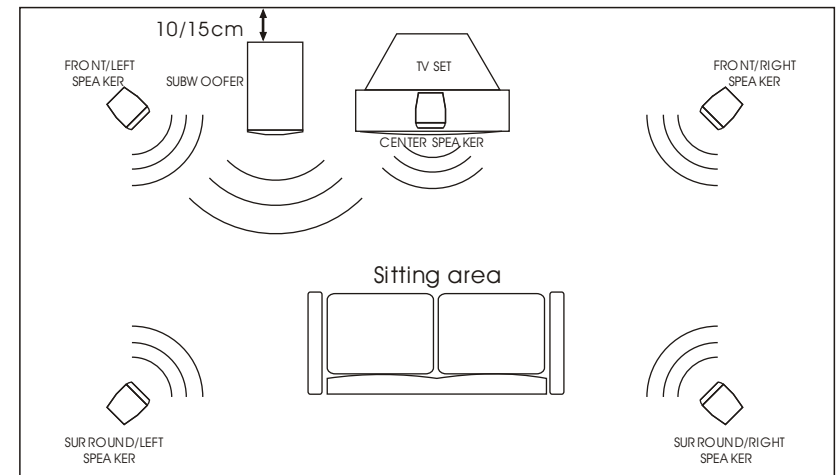
- 1) Set the system to STANDBY mode and turn the POWER on again.
- 2) If the system is not restored using the previous operation, then turn off the MAIN POWER switch, unplug the power cord and after few minutes plug it again and try.

PACKING LIST

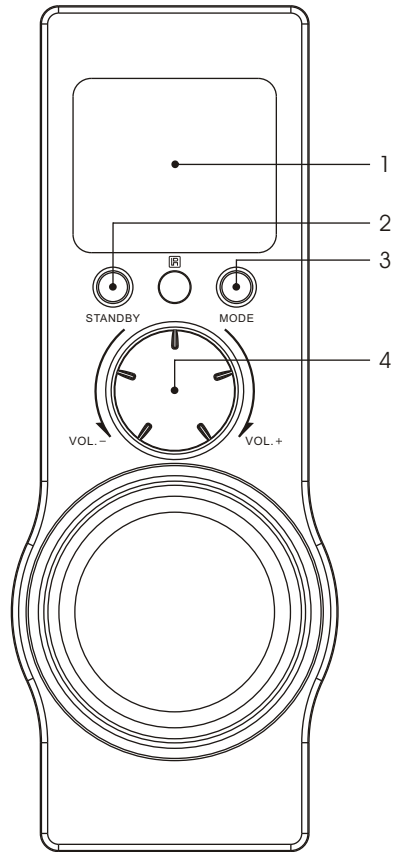
1. Subwoofer Speaker ----- 1 piece
2. Front Speaker ----- 2 pieces
3. Surround Speaker ----- 2 pieces
4. Center Speaker ----- 1 piece
5. Remote Control ----- 1 piece
6. User's Manual ----- 1 piece
7. Warranty card ----- 1 piece
8. Audio Cable ----- 3 pieces
9. Speaker Cable ----- 5 pieces
10. FM Antenna ----- 1 piece
11. AM Antenna ----- 1 piece

PLACEMENT OF THE SPEAKERS

You can place the speaker of your new surround set onto a stable and flat surface. The position of the subwoofer should be close to a properly wired mains wall outlet. Any openings in the housing or heat sinks support the units cooling and must not be covered. To ensure proper air circulation the subwoofer must not be set up behind net curtains etc.



DESCRIPTION OF THE SUBWOOFER CONTROL PANEL



1. Display Screen

2. STANDBY:

Switch between standby and operating mode.

3. MODE:

Output mode select.

4. VOL. - & VOL. +:

Master volume level adjustment.

AC POWER

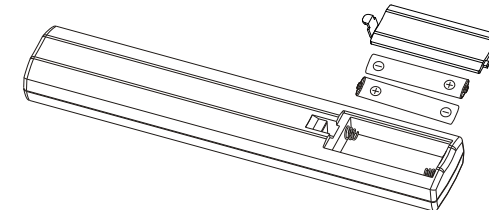
Important Notes

- Make sure that the power supply is proper and never handle the power cord or touch its plug with wet hands when plugging into, or unplugging from an outlet.
- Ensure that the main power switch is in the "OFF" position before connecting the AC power cord to the power supply to avoid damage to the system.
- A damaged power cord can easily cause an electric shock or fire hazard. Never use a power cord after it has been damaged.

BATTERY INSTALLATION

1. Open the battery case.
2. Insert two batteries, do not reverse the polarity.
3. Close the battery case.
4. Keep within 7 meter (23 feet), 30 degree angle when aiming at the unit.

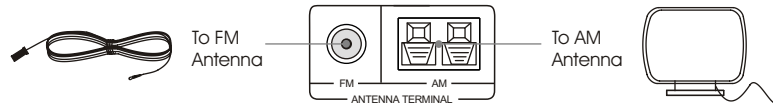
Caution: remove the battery when the unit is not being used for a longer period of time.



CONNECTIONS

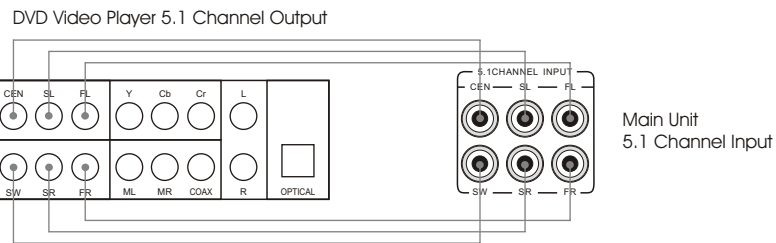
To prevent malfunction and/or damage to the speakers or other connected equipments, please do all the connections with the power unit switched off. Please take care to connect the marked wire (red line) of the speaker cable with the red terminals of both the subwoofer and the speakers. Connect the other (black line) wire with the black terminals. Otherwise the sound will be distorted and the main unit of the speakers may be seriously damaged.

Antenna Connection

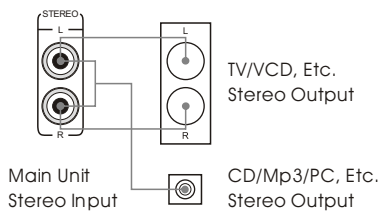


Note: To use the built-in tuner, you must connect the antenna wire with this jack.

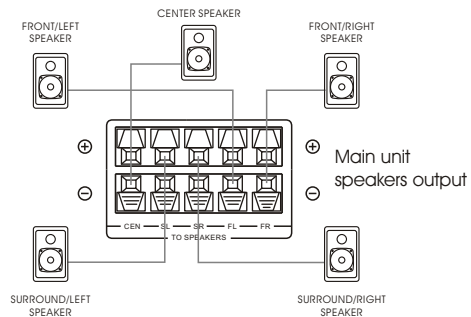
AC3/5.1 Channel Connection



Stereo/2 Channel Connection



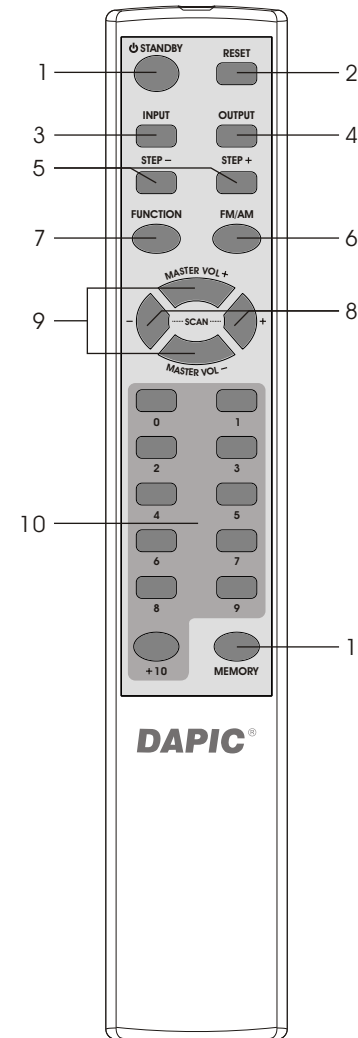
Speakers Connection



Notes:

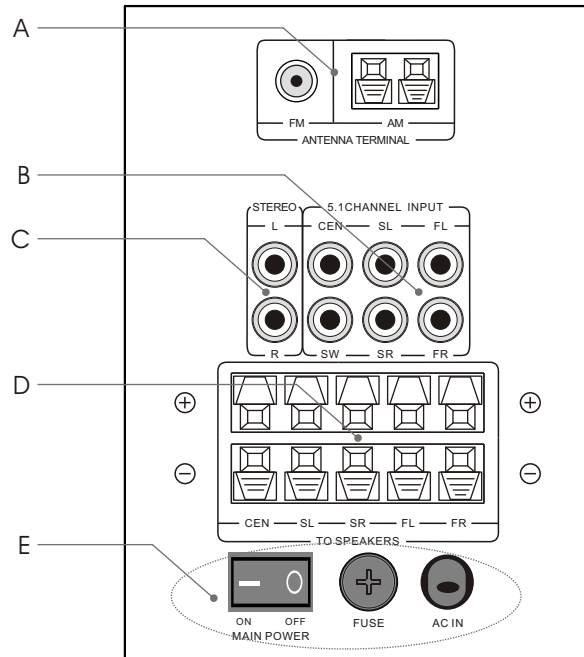
- 1) Make sure that the power unit is switched off before doing any wiring connection.
- 2) If the STEREO input is selected, then please make sure that it is 2 channels output from the source player. In case it is 5.1 channels output from the source player then it will result in poor sound quality output.
- 3) The proper combination of input & output mode (both the Amplifier & the source player, i.e.: CD, VCD, DVD player) will produce optimize sound quality. Please refer to the Instruction manual (both the Amplifier & the source player.)

DESCRIPTION OF THE REMOTE CONTROL



- 1. STANDBY:** Switch between standby and operating mode.
- 2. RESET:** Restore the unit's initial factory setting.
- 3. INPUT:** The selection uses cycle loop. Switched between 5.1 CH, STEREO or TUNER for input mode.
- 4. OUTPUT:** The selection uses cycle loop. Switched between 5.1 CH, 2.1 CH for output mode.
- 5. STEP +/-:** Press this button for manual tuning.
- 6. FM/AM:** The selection uses cycle loop. Switched between FM, AM tuner function.
- 7. FUNCTION:** The selection uses cycle loop for individual channel volume control.
 - a), FRONT BALANCE:** When "L" or "R" display, then press the **MASTER VOL +/-** button for front speaker balance level adjustment.
 - b), CENTER VOLUME +/-:** When "C" display, then press the **MASTER VOL +/-** button for center speaker volume level adjustment.
 - c), SURROUND VOLUME +/-:** When "SU" display, then press the **MASTER VOL +/-** button for surround speaker volume level adjustment.
 - d), SUBWOOFER VOLUME +/-:** When "SW" display, then press the **MASTER VOL +/-** button for subwoofer speaker volume level adjustment.
- 8. SCAN +/-:** Press this button to automatic tuning.
- 9. MASTER VOLUME +/-:** Press this button for master volume level adjustment.
- 10. "0-9, +10" numeric button.**
- 11. MEMORY:** Save a preset radio station.

DESCRIPTION OF THE REAR SIDE OF THE SUBWOOFER



A: ANTENNA TERMINAL

- 1, FM antenna input jack.
- 2, AM antenna input terminals.

B: AC-3/5.1 CH INPUT

3, FRONT L/R

Front channel input jacks.

4, SURROUND L/R

Surround channel input jacks.

5, CENTER

Center channel input jack.

6, SUBWOOFER

Subwoofer channel input jack.

C: 2 CH INPUT

7, STEREO

These jacks are used to receive the STEREO signal from a CD/VCD/DVD (2 CH) player.

D: SPEAKERS OUTPUT

8, CENTER (+/-)

Center channel output terminals.

9, SURROUND L/R (+/-)

Surround channel output terminals.

10, FRONT L/R (+/-)

Front channel output terminals.

E: AC POWER

11, MAIN POWER

This turns the power of the system on/off.

12, AC IN

AC power cord.

SYSTEM OPERATION

1. ON/OFF

Plug in the power cord to the outlet, switch the **MAIN POWER** Switch on the Subwoofer's rear panel to **ON** position, the unit goes into Operating Mode. Press the **STANDBY** button on the Remote Control or on the front panel of the Subwoofer, unit goes to Standby Mode. Press the **STANDBY** button again, unit goes back to Operating Mode. Switch the **MAIN POWER** Switch to **OFF** position, the unit is off.

2. TO SELECT INPUT

Press the **INPUT** button on the Remote Control, to choose the desired input: 5.1 CH, STEREO, TUNER input modes, the display shows the selected mode.

3. TO SELECT OUTPUT

Press the **MODE** button on the front panel of the subwoofer or on the Remote Control, the unit switches between 5.1 CH and 2.1 CH output mode, the display shows the corresponding output. If you've selected the 5.1 CH input naturally you can't activate the 2.1 CH output mode.

4. VOLUME AND FINE TUNING

The volume is controlled by the **VOL +/-** knob on the front panel of the subwoofer or **MASTER VOL +/-** button on the Remote Control, the display shows the corresponding volume level. In order to satisfy different listening desire, the unit has the fine tuning adjustment through the **FUNCTION** button on the Remote Control, user can adjust between the range of 10 dB, for front, center, surround and subwoofer volume.

5. RESET

If you want to restore the unit's initial factory settings, press the **RESET** button on the remote control.

6. IN TUNER MODE

Press **FM/AM** button on the Remote Control to switched between FM, AM tuner function. Press **STEP +/-** button on the Remote Control, one or more time for manual tuning; Also you can press **SCAN +/-** button on the Remote Control for automatic tuning. (Make sure the antenna is installed correctly before tuning, otherwise the tuner may not work probably.)

7. SAVE & SELECT PRESET RADIO STATIONS

There are 20 AM & 20 FM preset station in this system.

TO SAVE A PRESET STATION: Press the **MEMORY** button on the Remote Control, the system will enter into program mode. Then you can press a numeric button in **0~9** to store the current frequency in preset station, if you want program the station No. from 10~19, press the **+10** button first, then press the numeric button in **0~9**, this will save the current frequency in station from 10~19.

TO SELECT A PRESET STATION: Press a numeric button from **0~9** to select the preset station you save before. To select the station No. 10~19, press **+10** button first, then press a button in **0~9**.